

Efficiency in loading and
distributing total feed with
superior quality.

A green circular icon with a scalloped edge containing a white silhouette of a feedlot.

*Exclusive
patented anti-
compaction
system.*

An orange circular icon with a scalloped edge containing a white silhouette of a feedlot.

*Standard
stainless
steel
coating*



Totalmix® self-loading

Self-loading Totalmix TMR Mixer

TotalMix has a unique, patented curved box design, substantially reducing the undesirable effect of feed compacting, which may disturb the rumen functioning of the cattle.

With the vision to improve cattle handling, the first mixer made with three horizontal augers ever launched in Latin America has its self-loading version, which has been improving over the last 20 years, continuously meeting the demands of the modern cattle and dairy producer.

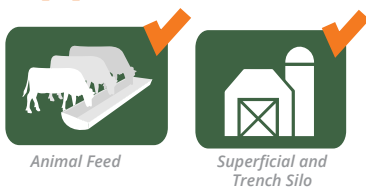
The TotalMix AC (Self-loading) allows for uniform and accurate silage cutting, without damaging the silo, keeping it well compacted without allowing any air into its structure.

It has high quality chopping and mixing performance in any type bulky feedstuffs, from processed roughages to wet, heavy rations, including hay bales (up to 15 kg), as well as agro-industrial residue, cotton seed and others. All this with only one operator.

Features

- The reliability of CASALE brand.
- Reduction of the silage waste: high weighing precision.
- Uniform silage cutting without affecting the silo's compaction.
- Reduction on the infiltration of air and water on the silo.
- Operational gain by lowering the loading and unloading time and there is also the need of only one professional to perform the entire operation.
- Increased durability and easy maintenance on the field.

Application



Number of fed animals

Totalmix Family	Trailed	Truck	Stationary
Dairy	80 – 1.500	1.000 – 2.000	2.000 – 5.00
Beef	500 – 5.000	3.000 – 7.500	4.000 – 10.000



Cutter with knives and hydraulic motor.



Compression load cells
(model TMX 100 and above).



Programmable electronic scale.



Planetary transmission.

Technical features

- Hydraulic system that allows lowering the rear of the machine to the ground, avoiding measurement errors of the electronic scale.
- Programmable electronic scale.
- Pressure gauge for checking the pressure of the silage cutter.
- High flotation tires (4 m³ models and up).
- Silage cutter is equipped with a high torque hydraulic engine, and an automatic antilock and arm-lowering speed valve.
- Bolted silage cutter knives allow easy replacement, even in the field.
- Special stainless steel bottom coating, which protects the box against abrasion and corrosion.
- Designed and built to last.
- Extra reinforced threaded lower auger is equipped with removable knives.
- Uniquely designed sidewalls help to produce a fluffy mix.
- Independent chassis.
- Latest generation planetary drive system.
- Galvanized hydraulic hose connectors are anti-leak.
- Reinforced silage cutter arm.
- Silage cutter knives of the rotor made of reinforced steel and thermal treatment for longer durability.

**IT LASTS
LONGER!**

WHY DO CASALE EQUIPMENT LAST LONGER?

- They are designed to be low maintenance;
- The quality and specifications (thickness, chemical composition, hardness) of the raw material and components are above average.

Optional Accessories

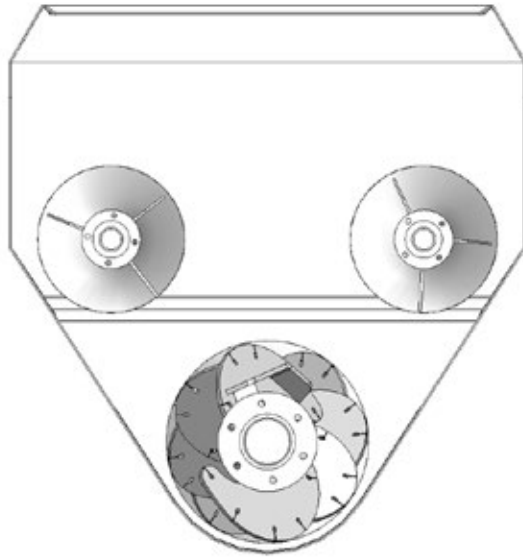
- Scale with USB port.
- Management Software
- Remote pressure indicator
- Knife set on the Upper Screw
- Magnetic Plate set
- Baffle
- High fluctuation tires 400/60 15.5 (models 65AC and 80C)
- High fluctuation tires 500/60 (models 100AC and 120C)
- Full stainless steel coating
- Straight knife set for the silage cutter roll.



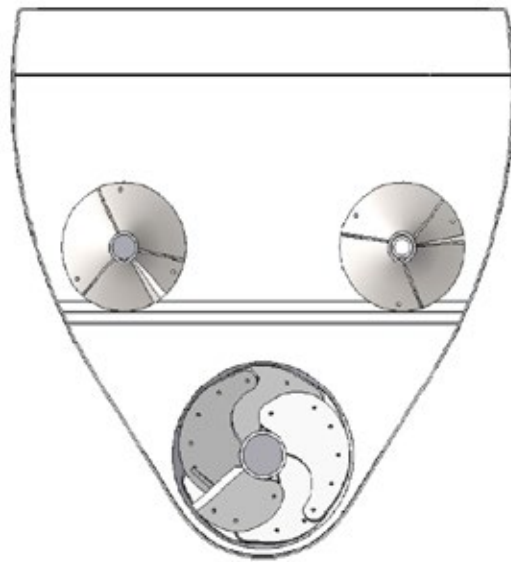
Feed Management

- **Programmable electronic scale:** Enables an accurate dosage of all the diet's ingredients, ensuring full use of the nutrients for a bigger production without waste.
- **Management Software (requires the scale with USB port):** Formulation of recipes by the computer and follow-up on mixtures and distributions performed with information obtained through the flash drive with the scale. Enables the cost control of bovine feeding and stocks of raw-material in its confinement.

Conventional Box



Casale Exclusive Anti-Compaction Box!



Technical Features

	TMX-25AC	TMX-40AC	TMX-65AC	TMX-80AC	TMX-100AC	TMX-120AC
	2,5	4	6,5	8	10	12
Screws	3	3	3	3	3	3
Cutter width (mm)	1350	1350	1350	1600	1600	1600
Maximum cutter height (mm)	3500	3500	3900	3900	4100	4500
Door width (mm)	550	700	700	700	810	810
Width (mm)	1950	2100	2250	2370	2530	2700
Height (mm)	1980	2300	2490	2700	2820	3150
Length (mm)	4700	5200	5800	6600	7100	7100
Tires	7.50 x 16 (2x)	340/55-16 (2x)	400/60-15.5 (2x)	400/60-15.5 (2x)	500/60-22.5 (2x)	500/60-22.5 (2x)
Approx. weight (kg)	2300	3150	4820	5520	6200	7000
Minimum power required on PTO (HP)	30	35	45	50	65	80
Thickness of the bottom plate with stainless steel (mm)	6,7	8,25	8,25	8,25	9,80	9,80
Thickness of side plate (mm)	4,76	6,35	6,35	6,35	7,94	7,94
Thickness of upper screw (mm)	7,94	7,94	7,94	7,94	9,53	9,53
Thickness of lower screw (mm)	12,7	12,7	19,05	19,05	19,05	19,05



SINCE 1964

Get to know our complete product line at:
www.casale.com.br

Telephone: +55 (16) 3411-5000 / +55 (16) 3411-5001 / +55 (16) 98122-4238 / +55 (16) 99789-4238 - Rod. Washington Luís, Km 237, São Carlos/SP - Brasil.

Casale Equipamentos Ltda. reserves the right to alter its products and specifications. The descriptions contained in this catalog were precise at the moment of its publication, but are subject to alterations without previous notice. Illustrations may include optional equipment or accessories and may not include the entire standard equipment.

All Casale equipment are produced in accordance with the determinations of NR-12.ABR./16



/CasaleBrasil